

COLLEGE OF ENGINEERING PUNE
(An autonomous institute of Govt. of Maharashtra)

End Semester Examination

ENGINEERING GRAPHICS - II M.C. 102

Programme: F.Y.B.Tech

Year :2008-2009

Date :04-05-2009

Semester:II

Time :3 Hours (E)

Max Marks:40

Instructions : 1) All questions are compulsory

2) Figures to the right indicate full marks

3) Assume suitable data whenever necessary

4) Retain all the construction lines and external constructions

5) Dimensioning, line work and symbols carry due credits

Q No-1 Solve any two

(a) Draw free hand sketches (two views) with proportions (1) hexagonal headed bolt
(2) Locking plate
(3) Lock nut
(4) Capstan nut

Marks 10

(b) A vertical cylinder of 70 mm diameter is penetrated by another cylinder of the same size. The axis of the penetrating cylinder is parallel to both the H.P and the V.P. and is 6 mm away from the axis of the vertical cylinder. Draw the projections showing curves of intersection.

Marks 10

(c) Figure (Refer fig no 1) shows the development of a right cone. Two alphabetic letters FE marked on this development. Draw the projections of the cone showing how these two letters will look like in the plan and the elevation. Point O is to be nearest to the observer.

Marks 10

(d) Using first angle projection method draw sectional front view (section along AA), top view, L.H. side view for the following object (Refer fig no 2)

Marks 10

Q.No-2 Draw the isometric view of the object shown in fig. (Refer fig No 3)

Marks 10

Q.No-3 Elevation and plan of the object are shown in fig. (refer fig No 4) Draw by using third angle method of projection, Sectional Elevation (section BB) left hand side view, plan

Marks 10

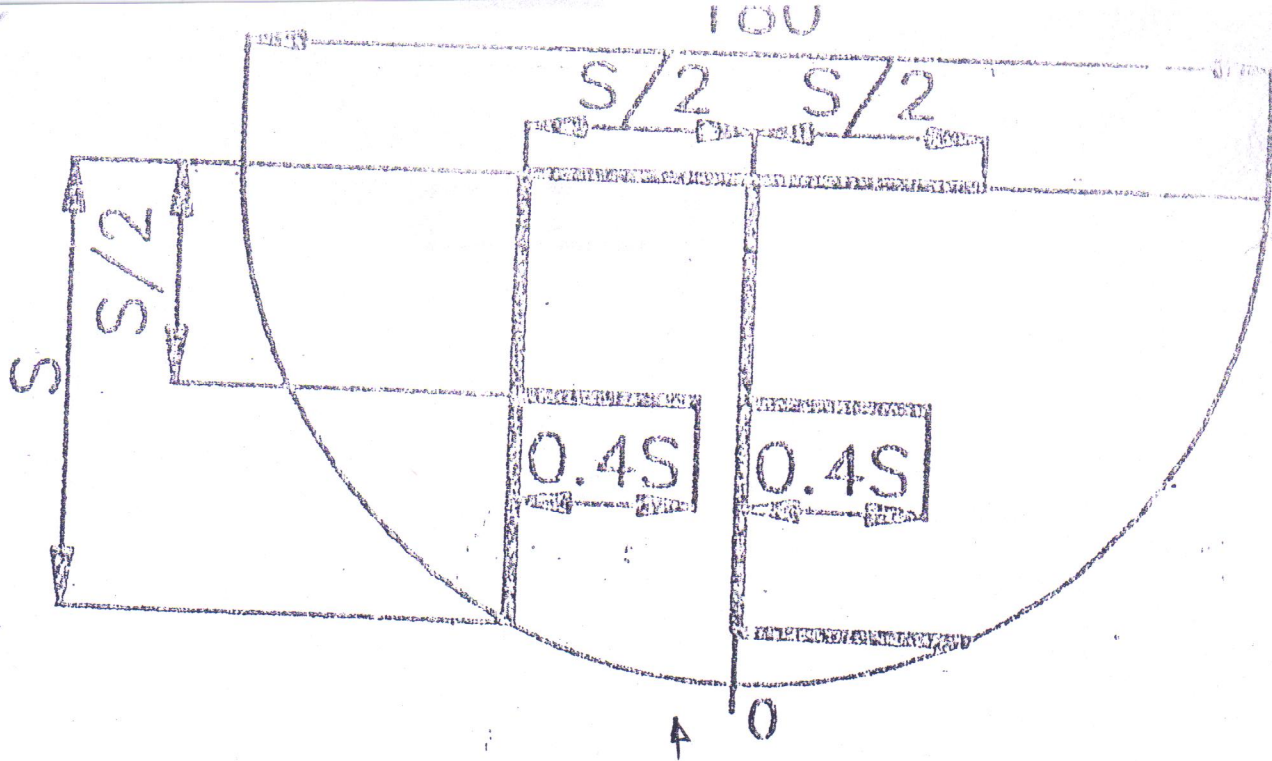


Fig NO 01 Q.No 1 (c)

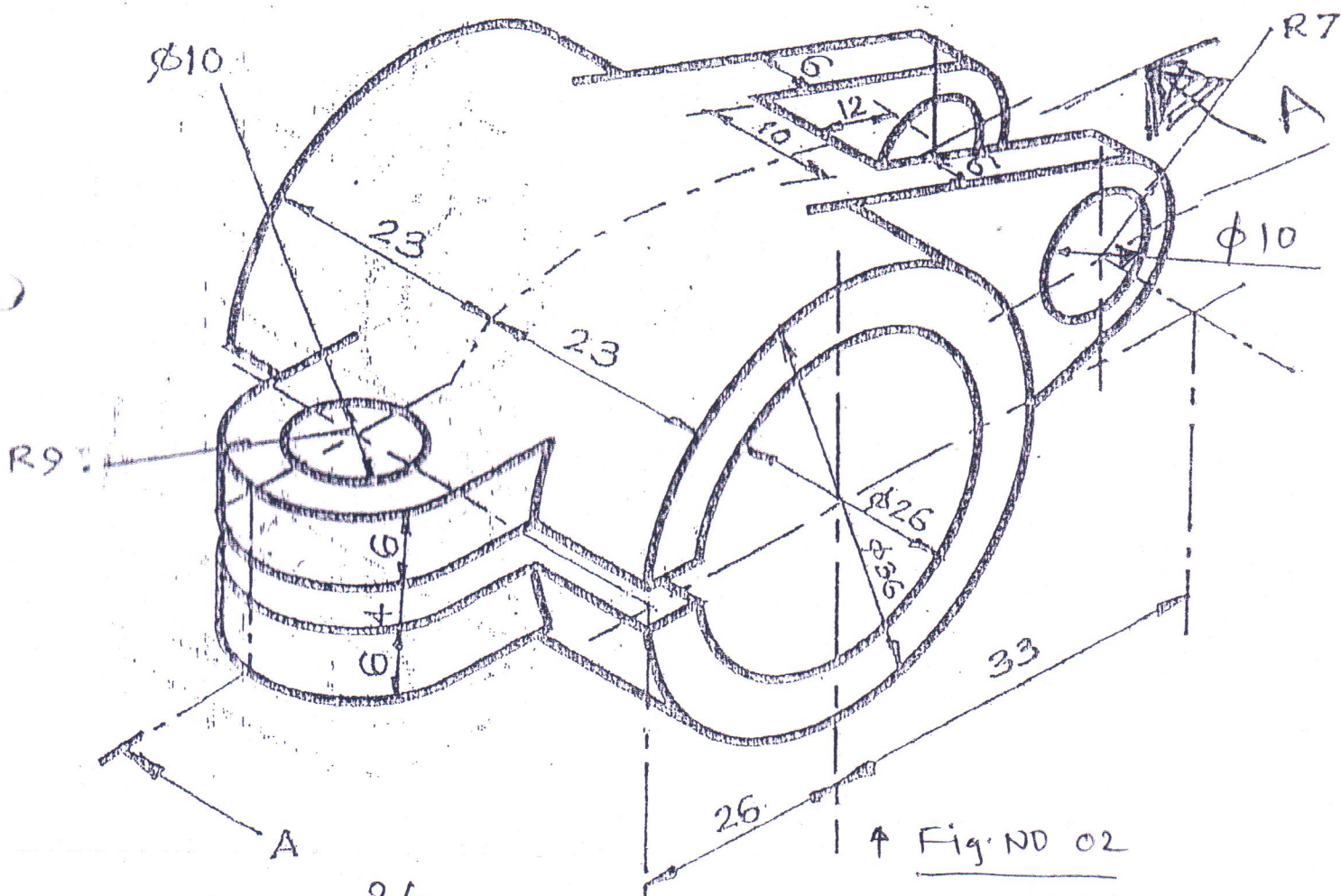
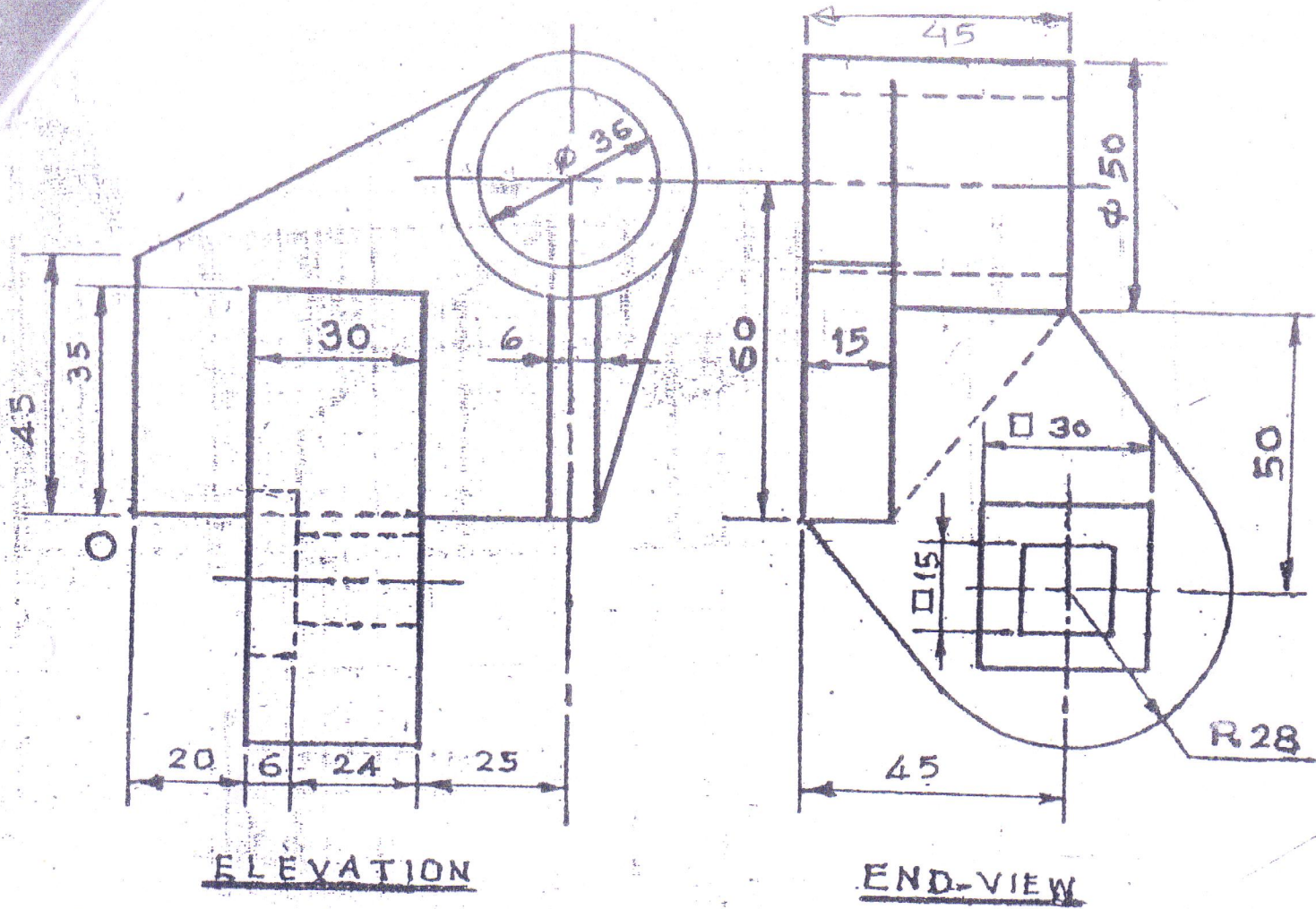


Fig. NO 03

G. NO 02



ELEVATION

END-VIEW

Fig. NO 04
Q. NO 03

