

COLLEGE OF ENGINEERING PUNE
(An autonomous institute of Govt. of Maharashtra)

End Semester Examination

ENGINEERING GRAPHICS –II (Backlog Students)

Programme: F.Y.B.Tech
Date :04-05-2009
Time :3 Hours

Year :2008-2009
Semester:II
Max Marks:50

- Instructions : 1) All questions are compulsory
2) Figures to the right indicate full marks
3) Assume suitable data whenever necessary
4) Retain all the construction lines and external constructions
5) Dimensioning, line work and symbols carry due credits

Q No-1 Solve any two

- (a) Draw free hand sketches (two views) with proportions (1) Washer
(2) Split pin
(3) Castle nut
(4) Wing nut

Marks 10

(b) A cone 100mm diameter of base and height 100 mm is penetrated vertically by a triangular prism of 50 mm side of triangular base in such a way that one of the rectangular faces of the prism is parallel to the V.P. The axis of both the solids coincide with each other. Draw the curves of interpenetration in top view and in side view..

Marks 10

(c) A cone diameter of base 70mm and axis 35mm long is kept on the H.P. on its base, with its diameter AB parallel to V.P. A point P starting from the point A, moves along the curved surface of the cone and comes to the point B and then comes back to point A, moving around the axis and traveling the shortest distance. Show the path of the point in the elevation and plan of the cone.

Marks 10

(d) Using first angle projection method draw sectional front view (section along XX), top view, Sectional R.H. (section along YY) side view for the following object (Refer fig no 1)

Marks 10

Q.No-2 Draw the isometric view of the object shown in fig. (Refer fig No 2)

Marks 15

Q.No-3 Front view and top view of the object are shown in fig. (refer fig No 3) Draw Sectional front view (section AA) left hand side view, Top view by using first angle method of projection

Marks 15

Fig. NO 01

Q. NO 1(d)

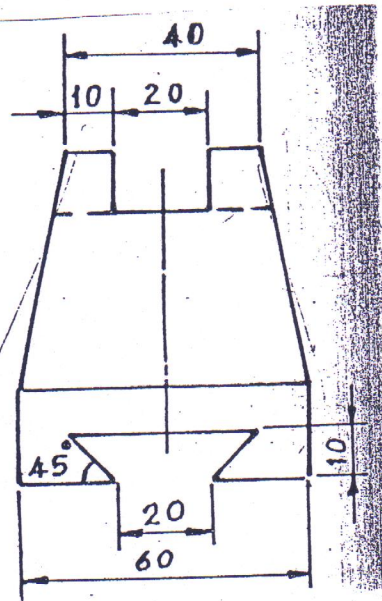
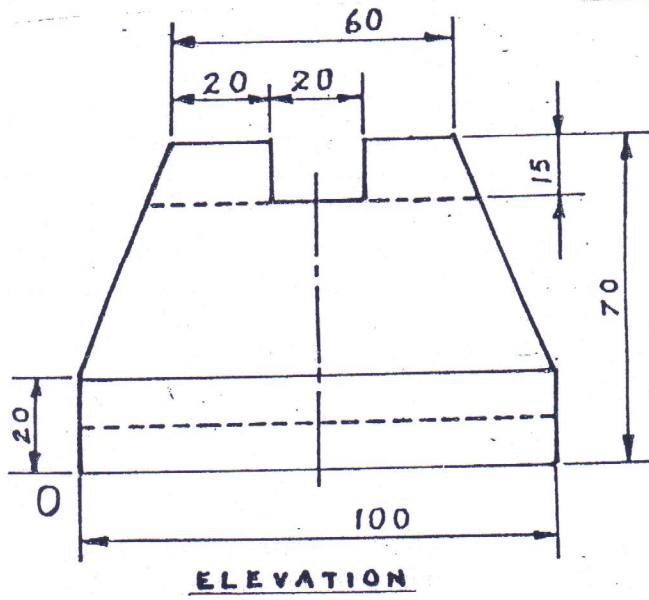
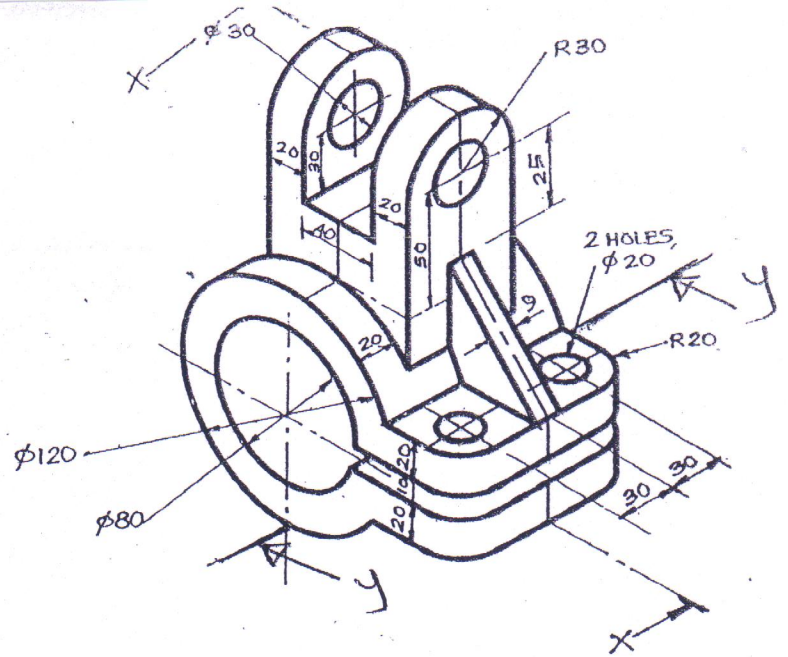


Fig. NO 02

Q. NO 02

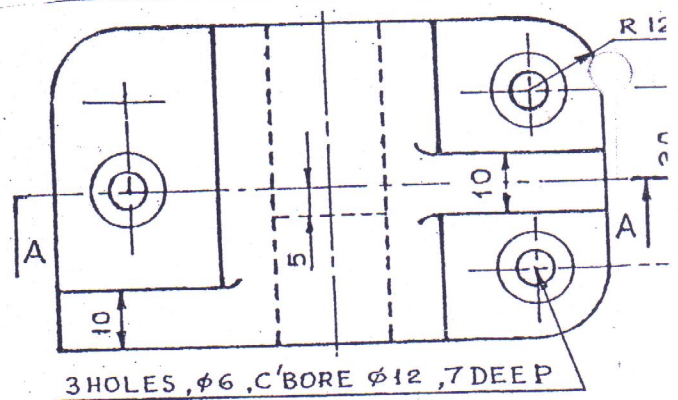


Fig. NO 03

Q. NO 03

