

COLLEGE OF ENGINEERING , PUNE

(An autonomous institute of Govt. of Maharashtra)

End Semester Examination ENGINEERING GRAPHICS II (A)

Programme: F.Y.B.TECH ME 103

Date: / / 2010

Time : 3 hours

Marks 50

Instructions :-

- 1) All questions are compulsory.
- 2) Figures to the right indicate full marks.
- 3) Assume suitable data whenever necessary.
- 4) Retain all the construction lines and external constructions.
- 5) Dimensioning , line work and symbols carry due credits.

Q No 1: Figure shows an object. Draw the following : (i) Sectional Front View (section along AA) (ii) Top View (iii) Left Hand Side View . Use First Angle Method of Projection only
Marks 13

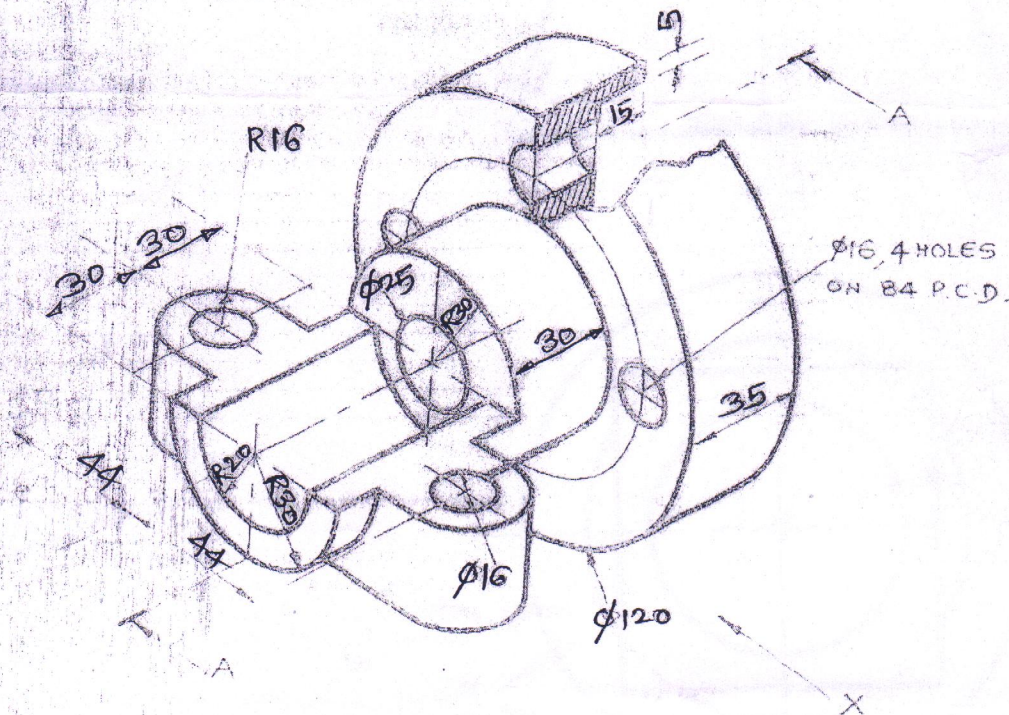


Fig. No 1 (Q No 1)

1/4

Q No 2 Figure shows the top view and front view of the object. Draw the sectional front view (section along CC) Top view and Left Hand Side View by using first angle method of projection. Marks 13

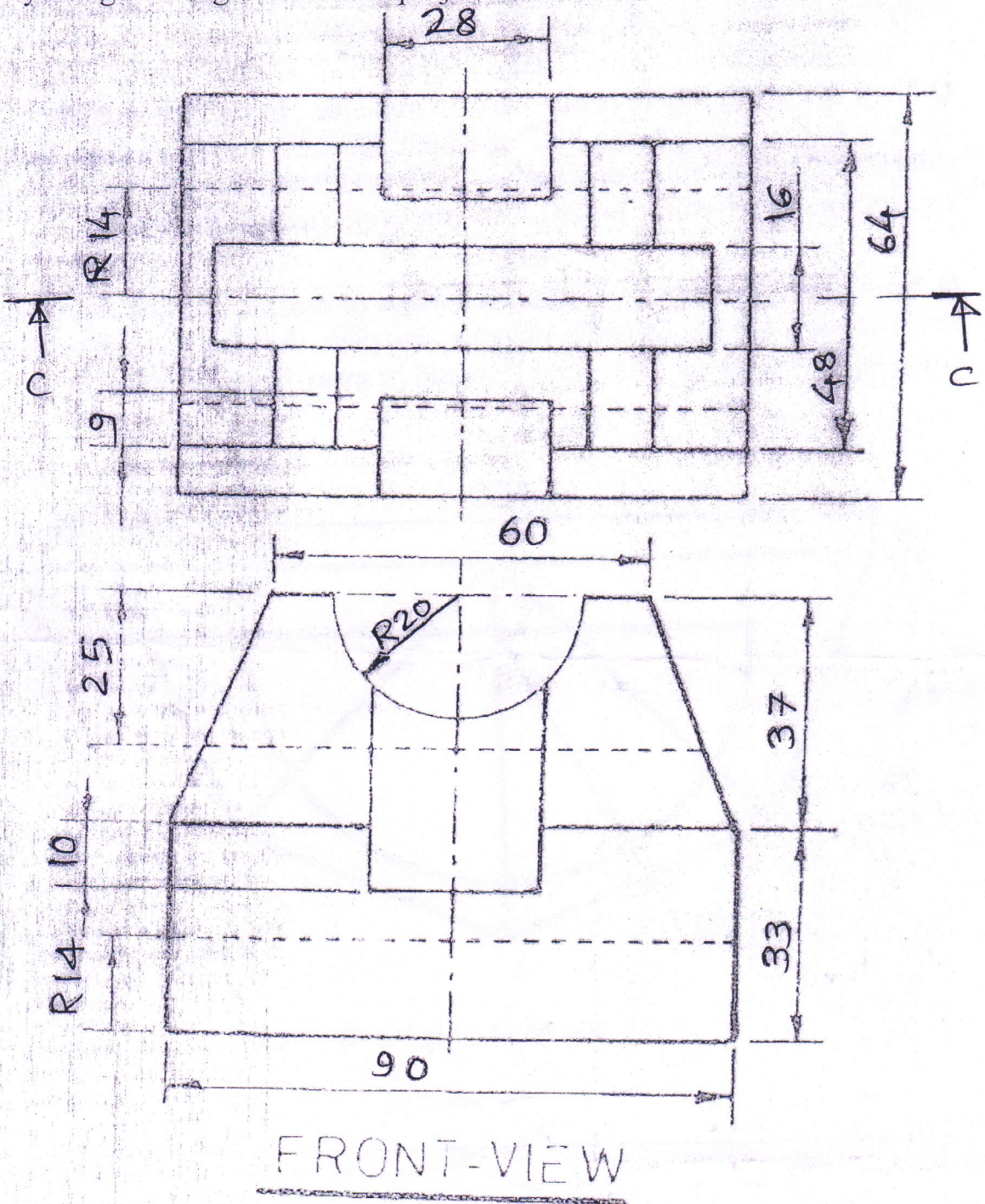


Fig No 2 (Q No 2)

Q No 3 Draw the isometric projection of the following assembly
 A frustum of cone standing on its base on ground . A cube is resting centrally on the top of it and a hemisphere is resting centrally on the top of the cube . The dimensions are as follows

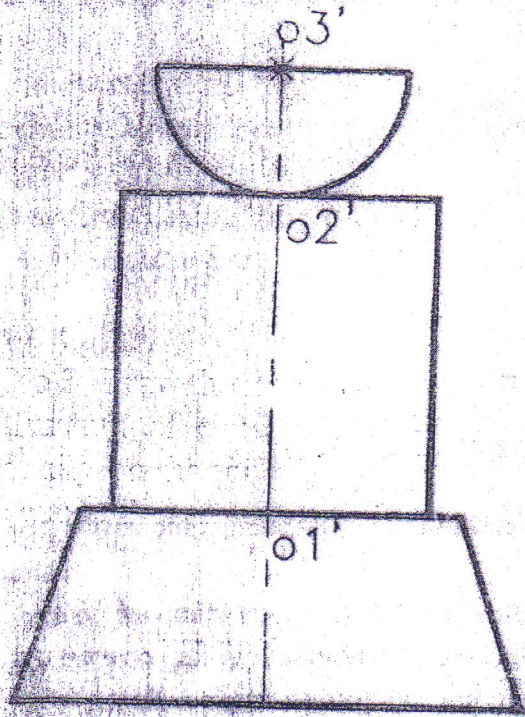
Frustum of cone :- Base diameter = 80 mm

Top face diameter = 60 mm

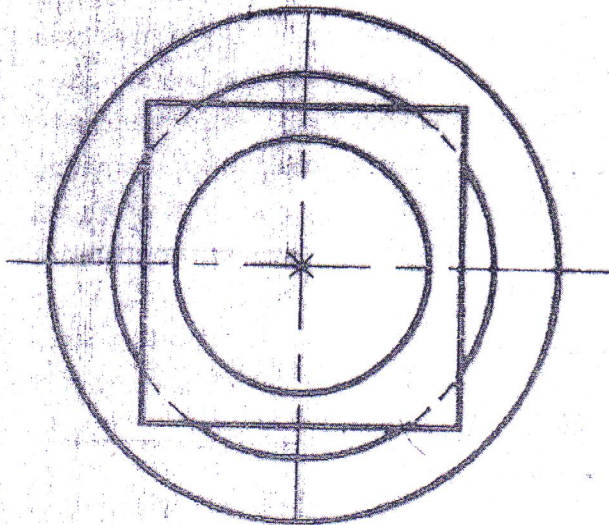
Axis Length = 30 mm

Side of cube = 50 mm

Diameter of the hemisphere = 40 mm



O F.V.



T.V.

Fig No 3 (Fig No 3)

Marks 12

Q No 4 Draw the free hand sketches of the following Marks 12
(i) Castle Nut (Two views) (ii) Lewis Foundation Bolt (iii) Flanged Coupling (Two views) (iv) Turn Buckle (Two views)

or

Q No 4 A vertical square prism, base 50 mm side, has a face inclined at 30 degrees to the V.P. It has a hole of 65mm diameter drilled through it. The centre line of the hole is parallel to both the H.P. and the V.P, and is 5mm away from the axis of the prism. Draw the projections of the prism.

or

Q No 4 Fig No.4 shows developed surface of a solid, marked with semi-circle as shown in fig. Draw its elevation and plan, showing the marked semi circle with its diameter. The point P should be away from the observer.

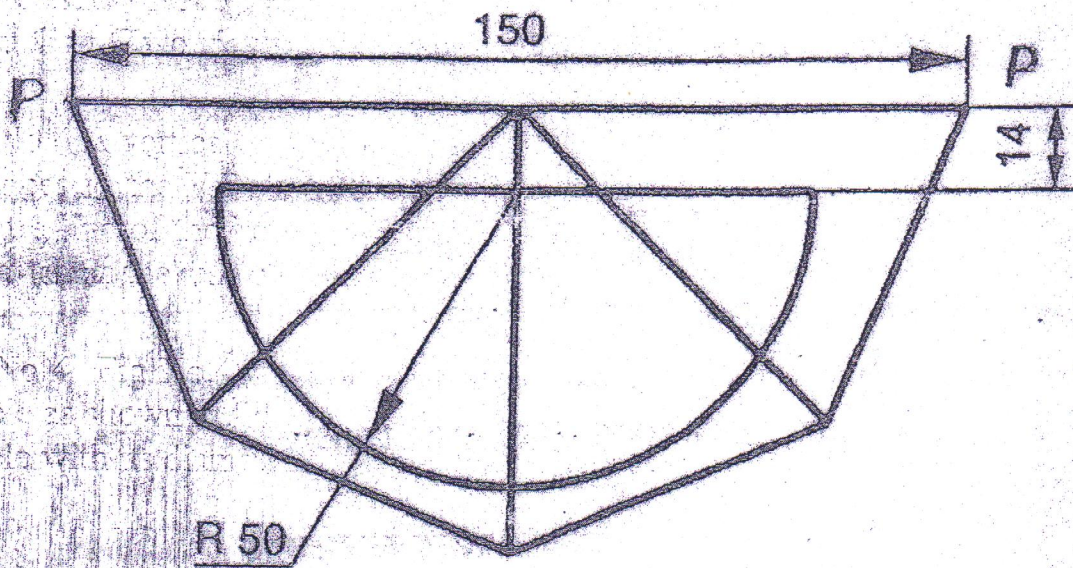


Fig No 4 (Fig No 4)