

COLLEGE OF ENGINEERING, PUNE

(An autonomous institute of Govt. of Maharashtra)

End Term Exam (Autumn 2011-12)

Engineering Graphics (Non-Electrical Stream)

Programme: - F.Y. B. TECH (Morning Session)

Duration: - Three Hours

Date: - 18/11/2011

Marks: - 60

Instructions:

- 1) Question Nos.1, 3 and 4 are compulsory.
- 2) Solve any one question from question no. 2a) & 2b).
- 3) Assume suitable data if required.
- 4) Use of scientific calculator is not allowed.
- 5) Retain all the construction lines and external constructions.
- 6) Dimensioning, line work carry due credits.

Q.1) Using first angle projection method draw-
a) Sectional Front View b) Top View and c) Right hand side view for the object shown in Figure no. 1

(10 Marks)

Q.2a) Projectors of H.T and V.T of a line PQ are 25 mm apart. H.T is 20 mm above XY and V.T is 10 mm above XY. End P is 15 mm above H.P. Draw the projections and find true length and true inclinations of line with H.P and V.P both, when plan (i.e. T.V.) of the line measures 60 mm and end Q is in first quadrant.

(14 Marks)

OR

Q.2b) A 30 degree - 60 degree triangle PQR has its largest side PR as 50 mm long and is contained (resting) in V.P. Points P and R are 20 mm and 45 mm respectively from H.P., while point Q is 10 mm away from the V.P. Draw the projections of the plane assuming it in first quadrant.

(14 Marks)

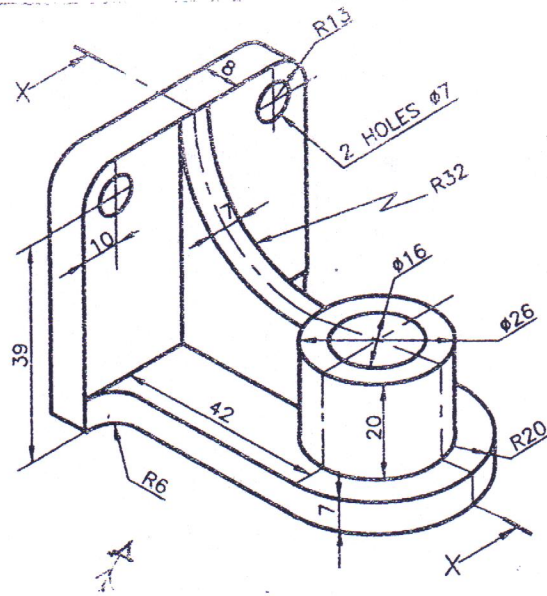
Q.3) Figure no. 2 shows the Elevation (F.V) and Plan (T.V) of an object. Draw its Isometric view from the origin O as shown in figure. Retain the construction lines.

(18 Marks)

Q.4) Figure no. 3 shows the F.V. and T.V. of the object. Draw by the first angle method,
a) Sectional F.V., b) T.V. & c) R.H.S.V

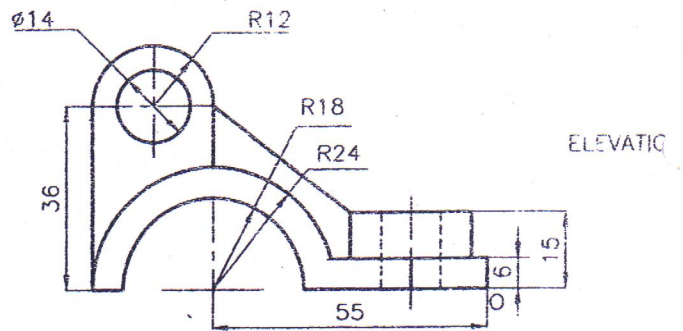
(18 Marks)

P.T.O



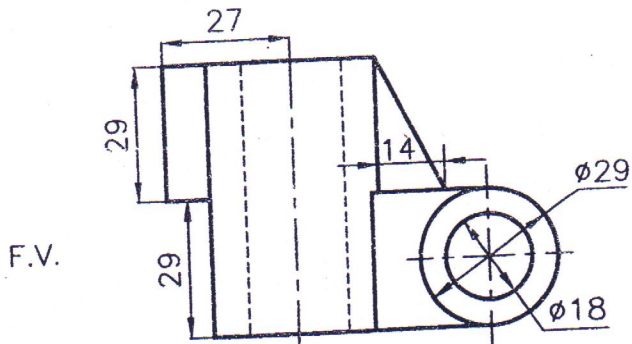
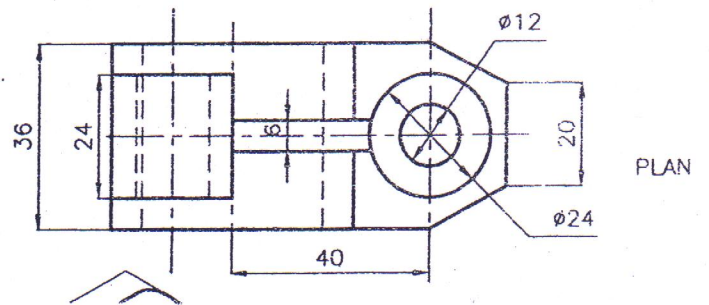
Q: 1)

Figure No. 1



Q: 3)

Figure No. 2



Q: 4)

Figure No. 3

