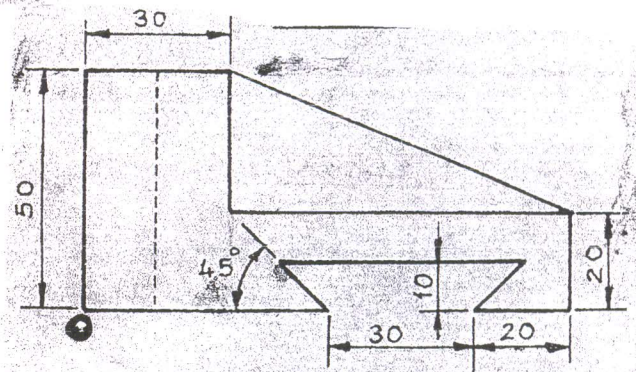
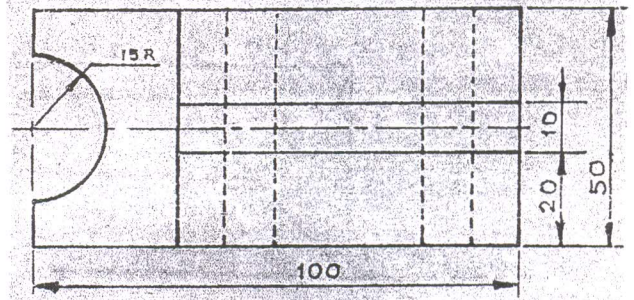


Figure No. 1 (Question 1)

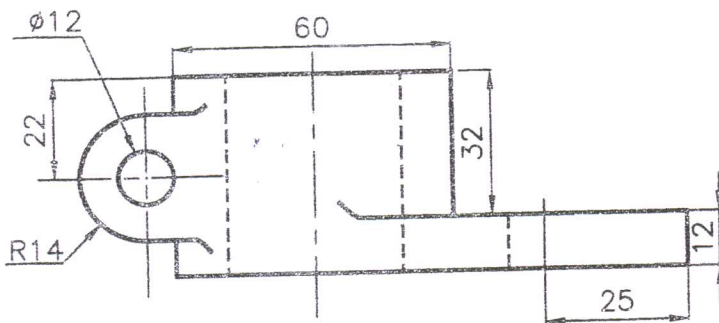


FRONT-VIEW

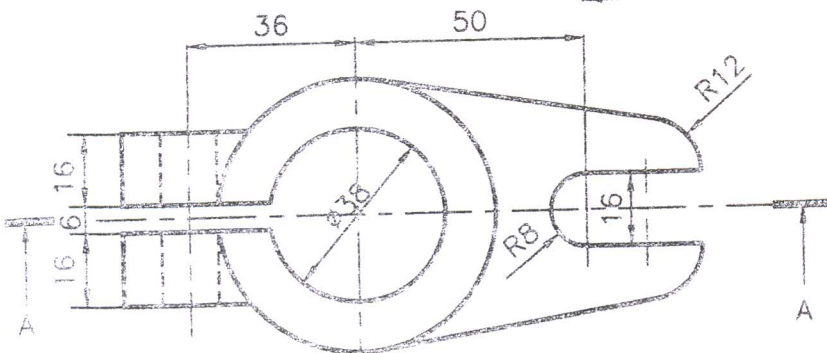


TOP-VIEW

Figure No. 3 (Question 4)



F.V.



T.V.

Figure No. 2 (Question 3)