

COLLEGE OF ENGINEERING, PUNE

(An autonomous institute of Govt. of Maharashtra)

End Term Exam (Spring 2011-12)

Engineering Graphics (Electrical Stream)

Programme: - F.Y. B. TECH (Afternoon Session)

Duration: - Three Hours

Date: - 04/12/2012

Marks: - 60

Instructions:

- 1) Question No.1 is compulsory.
- 2) Solve any one question from question no. 2a) & 2b).
- 3) Assume suitable data if required.
- 4) Use of scientific calculator is not allowed.
- 5) Retain all the construction lines and external constructions.
- 6) Dimensioning, line work carry due credits.

Q.1) **Figure no. 1** shows the pictorial view of an object. Draw to scale full size, by using first angle method of projection -
a) Front View looking in the direction of arrow X b) Top View and c) Right hand side view

(10 Marks)

Q.2a) A TV of line AB 75 mm long measures 55 mm. Point A is 15 mm above HP while its VT is 10 mm below HP. Line AB is inclined at 45° to VP. Draw the projections of the line AB and true inclination with HP.

(14 Marks)

OR

Q.2b) A thin rectangular plate of (70 mm x 50 mm) has a regular pentagonal hole of 20 mm side punched centrally through it, such that two sides of the hole make equal angles with the longer edge of the plate. Draw the projections of the plate and the hole when it has one of its sides in HP and parallel to VP. The plate makes an angle of 60° with H.P.

(14 Marks)

Q.3) Draw the Isometric view of an object from the given front view and top view from origin O, for the **Figure no. 2**. as shown. Retain the construction lines.

(18 Marks)

Q.4) **Figure no. 3** shows the elevation and end view of a cross-guide. Using first angle method of projection, draw to scale full size

- a) Sectional F.V along A-A, b) T.V. & c) R.H.S.V

(18 Marks)

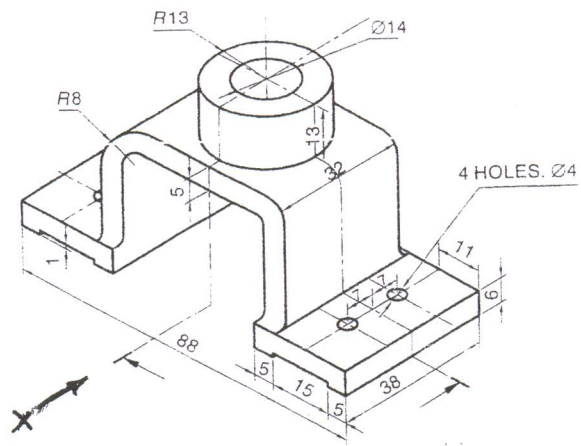


Fig. No. 1
(Qus No. 1)

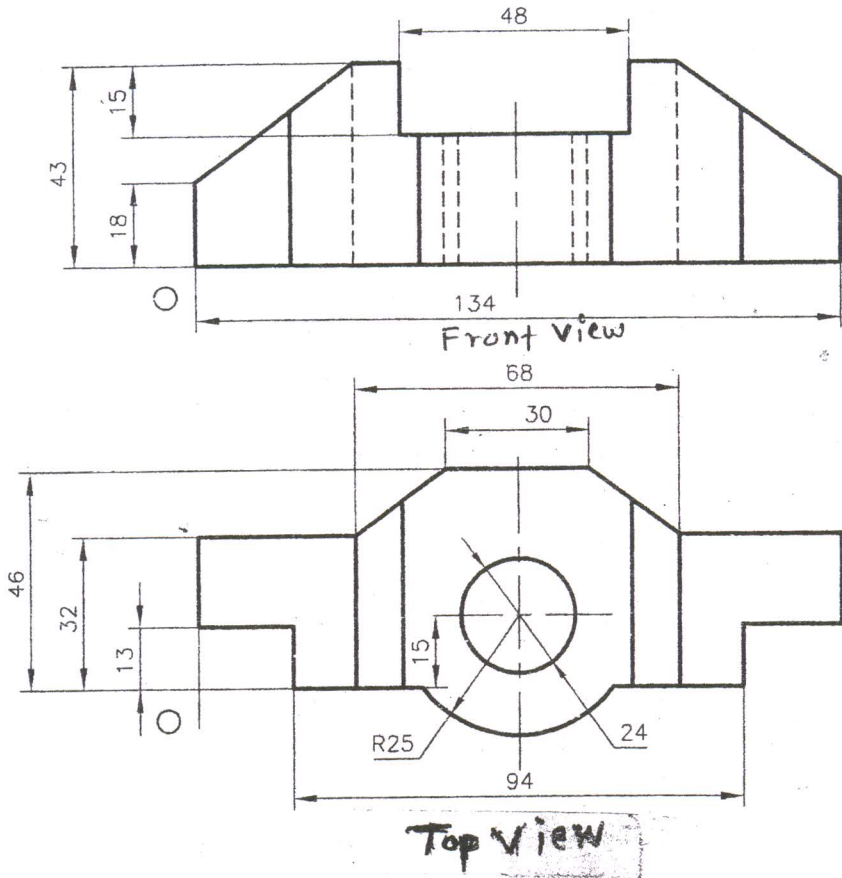


Fig. No. 2
(Qus No. 3)

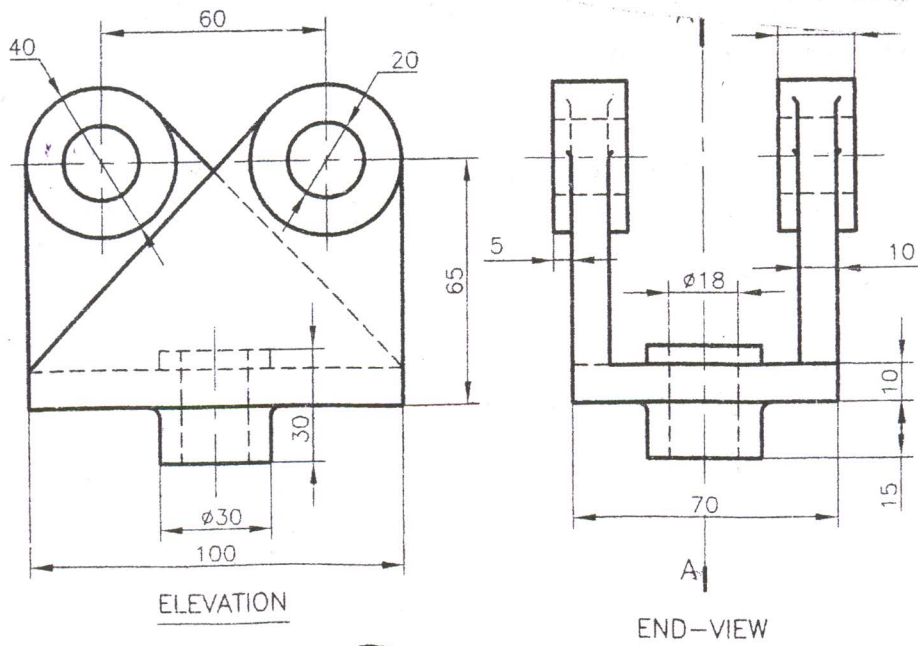


Fig. No. 3
(Qus No. 4)