

COLLEGE OF ENGINEERING , PUNE

(An autonomous institute of Govt. of Maharashtra)

End Semester Exam (NOV 2013)
ENGINEERING GRAPHICS

Programme: **F.Y.B.TECH**

Date: /11/2013 (Evening)

Time :3 hours

Marks 60

Instructions :

- 1) Figures to the right indicate full marks.
- 2) Assume suitable data whenever necessary.
- 3) Retain all the construction lines and external constructions.
- 4) Dimensioning , line work and symbols carry due credits.

Q No 1: Draw the projections of a regular pentagon of 40 mm side, having its surface inclined at 30 degrees to the H.P. and a side parallel to the H.P. and inclined at an angle of 60 degrees to the V.P.

(08)

Q No 2 : Figure No 1 shows two views of an object. Using Isometric scale **Draw Isometric projection.**

(12)

or

Q No 2 : Figure No 2 shows two views of an object. Using **Draw Isometric view.**

Q No 3 : Fig. No 3 shows pictorial projection of the object. Draw Sectional front view (section along X-X), Top View, Right hand side view.

(20)

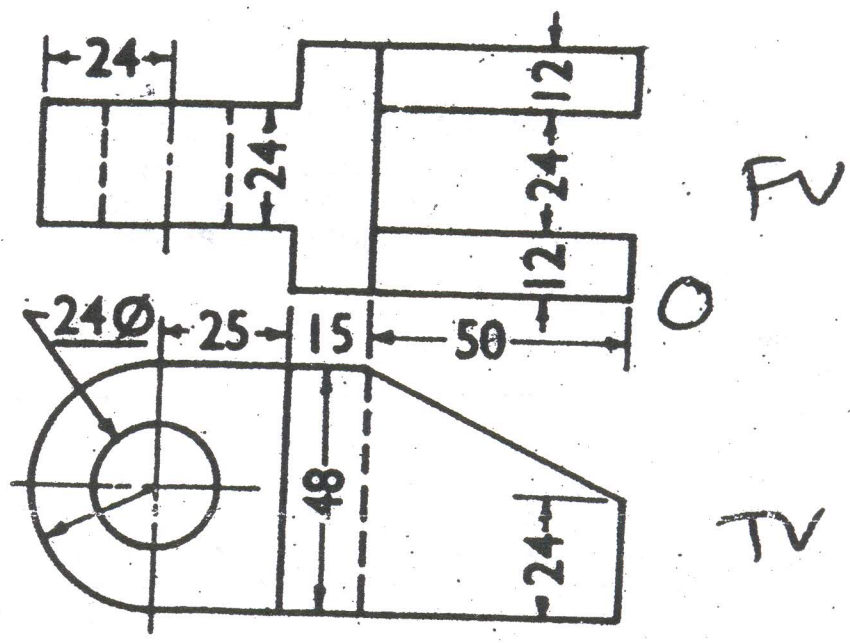
Q No 4 : Fig. No 4 shows two views of an object. Draw sectional left hand side view (assuming section P-Q), top view and front view.

(20)

(E) 1/3

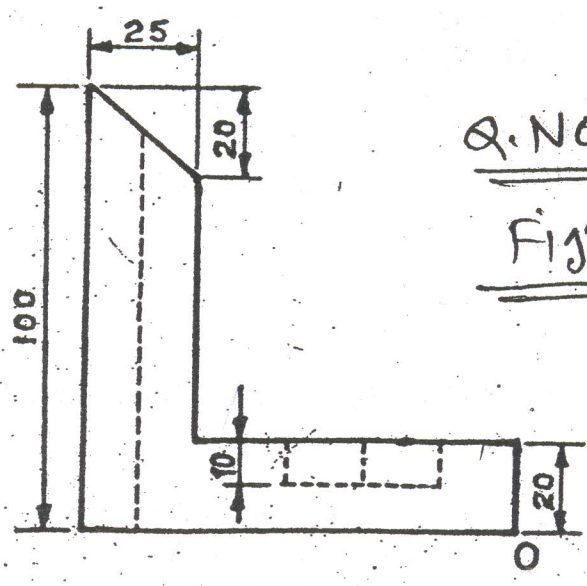
Q. NO 02

Figure No-01

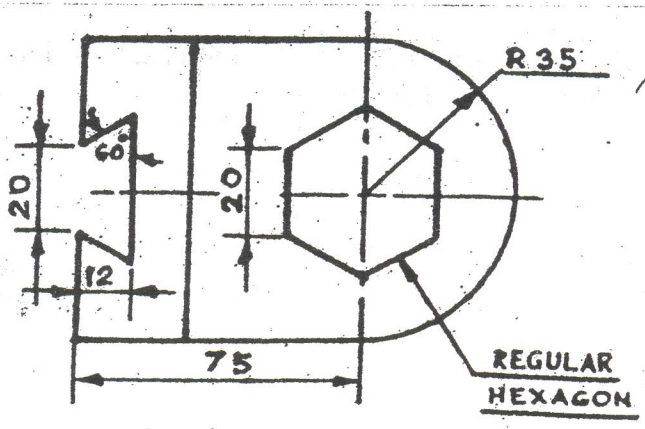


Q. NO 02

Figure No.02



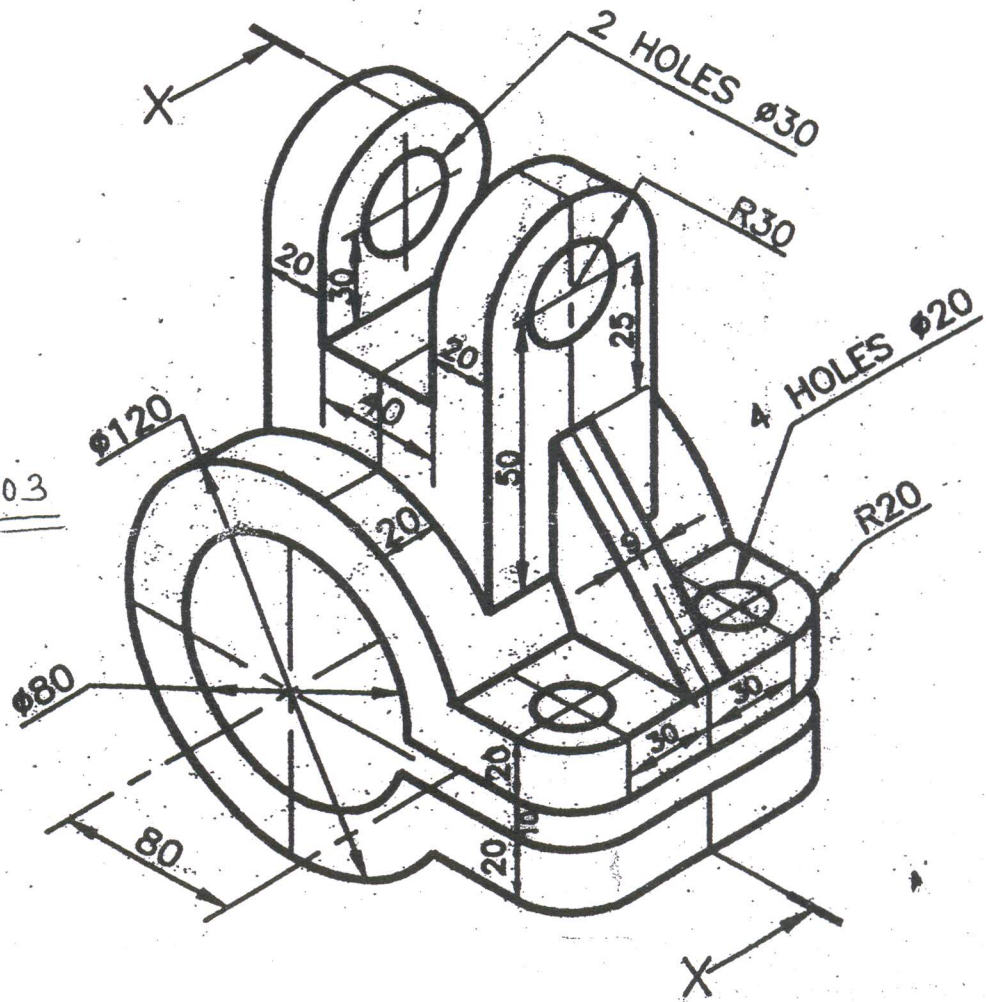
FRONT-VIEW



TOP VIEW

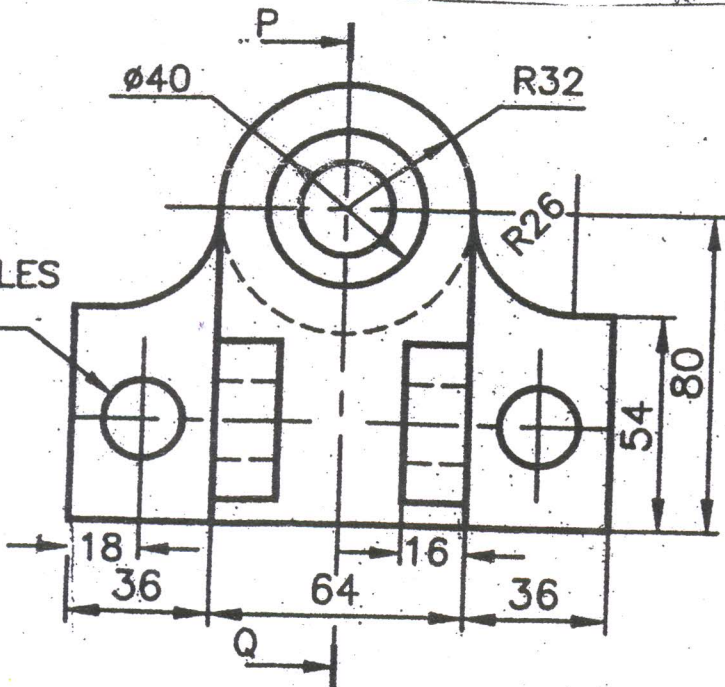
Q. NO 03

Figure N003

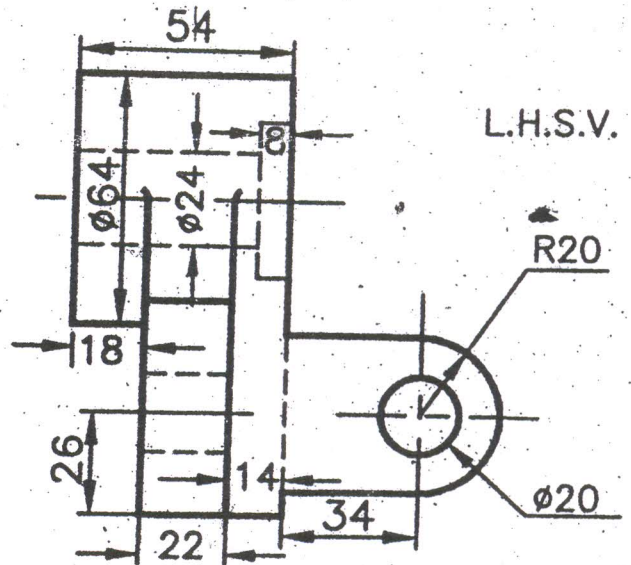


F.V.

2 HOLES
 $\phi 20$



L.H.S.V.



Q. NO 04

FIG. NO 04