

COLLEGE OF ENGINEERING , PUNE

(An autonomous institute of Govt. of Maharashtra)

End Semester Exam (NOV 2013)
ENGINEERING GRAPHICS

Programme: F.Y.B.TECH

Date: /11/2013 (Morning)

Time :3 hours

Marks 60

Instructions :

- 1) Figures to the right indicate full marks.
- 2) Assume suitable data whenever necessary.
- 3) Retain all the construction lines and external constructions.
- 4) Dimensioning ,line work and symbols carry due credits.

Q No 1: A thin 30-60 degrees set square has its longest edge in the V.P. and inclined at 30 degrees to the H.P. Its surface makes an angle of 45 degrees with the V.P. Draw its projections.

(08)

Q No 2 : Figure No 1 shows two views of an object. Using Isometric scale **Draw Isometric projection.**

(12)

OR

Q No 2 : Figure No 2 shows two views of an object. Using **Draw Isometric view.**

Q No 3 : Fig. No 3 shows pictorial projection of the object. Draw Sectional front view (section along X-X, Top View, Left hand side view.

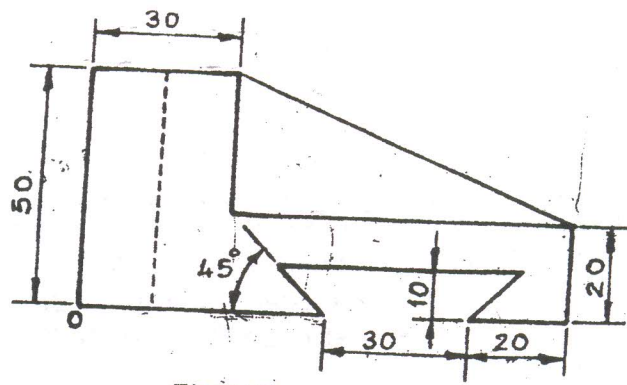
(20)

Q No 4 : Fig. No 4 shows two views of an object. Draw sectional front view (assuming section A-A), top view and right hand side view.

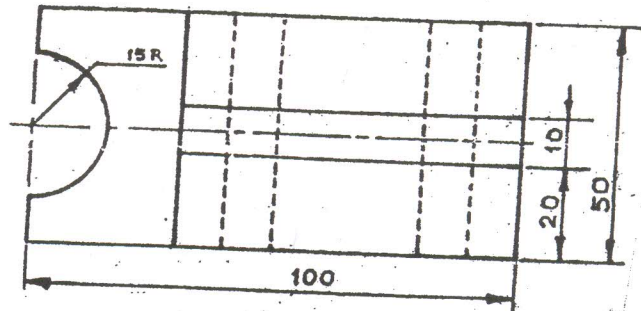
(20)

Figure NO

01



FRONT-VIEW

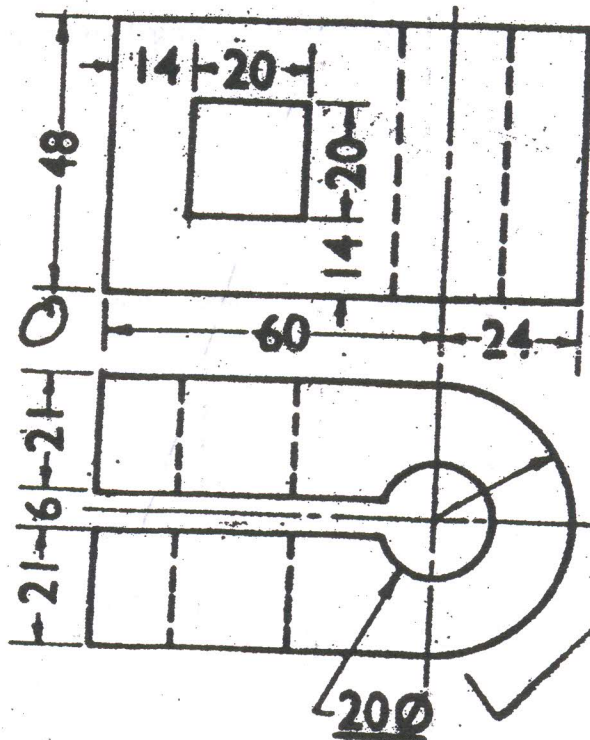


TOP VIEW

Q NO 02

Figure NO

02



F

V

