

COLLEGE OF ENGINEERING , PUNE

(An autonomous institute of Govt. of Maharashtra)

End Semester Exam (Morning)

ENGINEERING GRAPHICS

Programme: F.Y.B.TECH 2014-2015 (Mechanical Courses)

Date: ~~11/2014~~ **19 NOV 2014** (10:00 AM To 01:00 PM)

Time :3 hours

Marks 60

Instructions :

- 1)All questions are compulsory.
- 2)Figures to the right indicate full marks.
- 3)Assume suitable data whenever necessary.
- 4)Retain all the construction lines and external constructions.
- 5)Dimensioning ,line work and symbols carry due credits.

Q. No 1: A hexagon with a 40mm side, has a side in V.P. and is inclined at 60 degrees to the H.P. The side opposite the side which is in the V.P. is 50 mm in front of V.P. Draw the projections.

Marks 10

Q. No 2: Figure No.1 shows two views of an object. Draw Isometric view.

Marks 18

Q. No 3: Figure No. 2 shows pictorial projection of an object. Draw front view, Top view and left hand side view.

Marks 18

OR

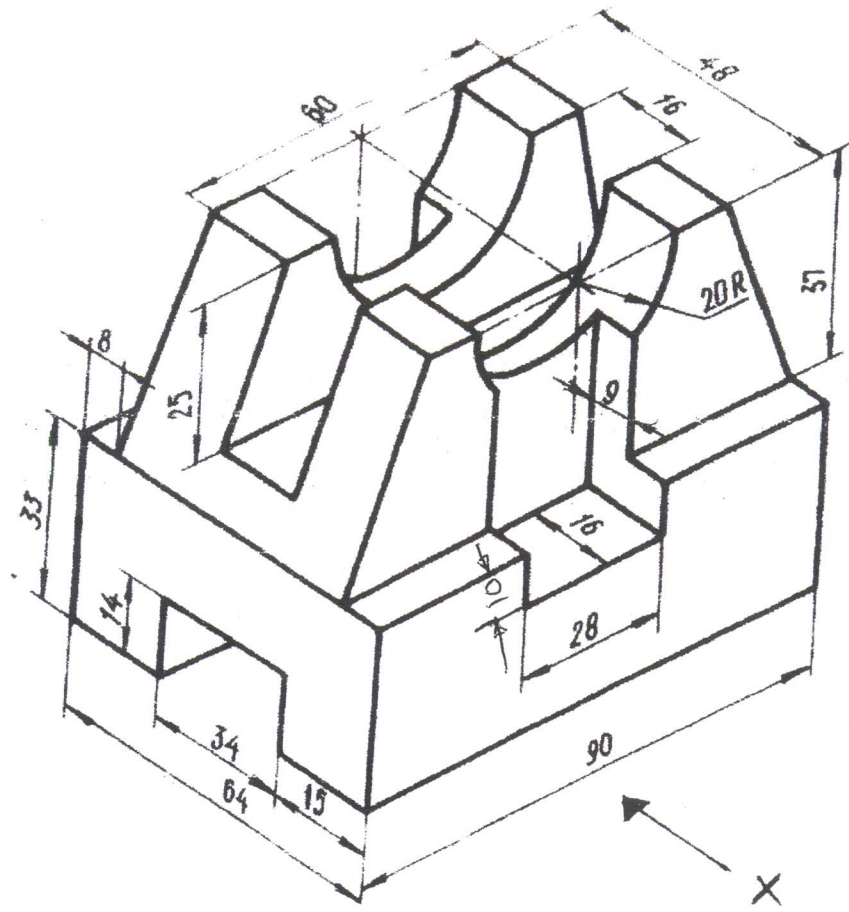
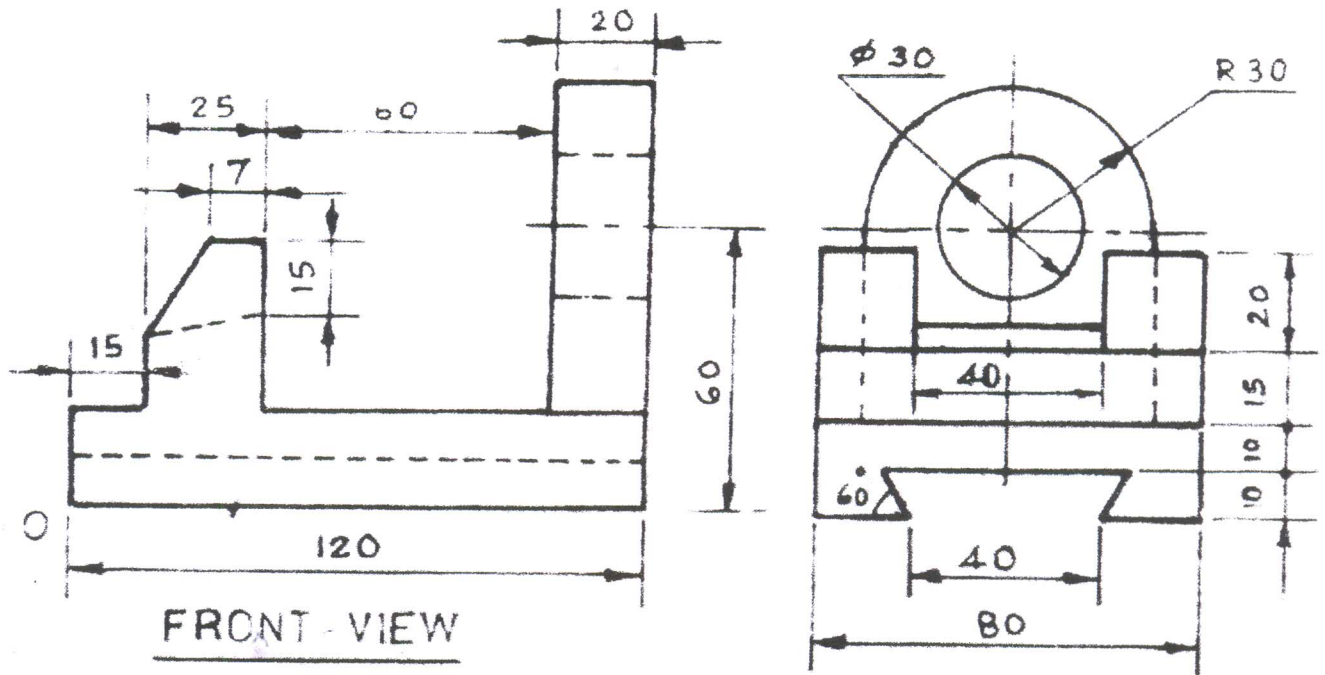
Q. No 4: Figure No. 3 shows pictorial projection of an object. Draw front view, Top view and sectional left hand side view (section along X-X).

Marks 18

Q. No 5: Figure No. 4 shows two views of an object. Draw front view, top view, left hand side view.

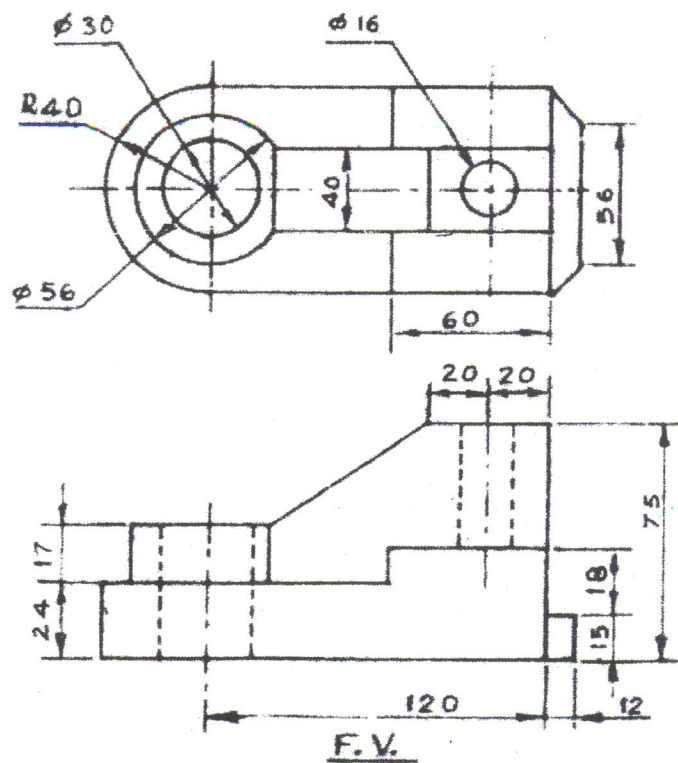
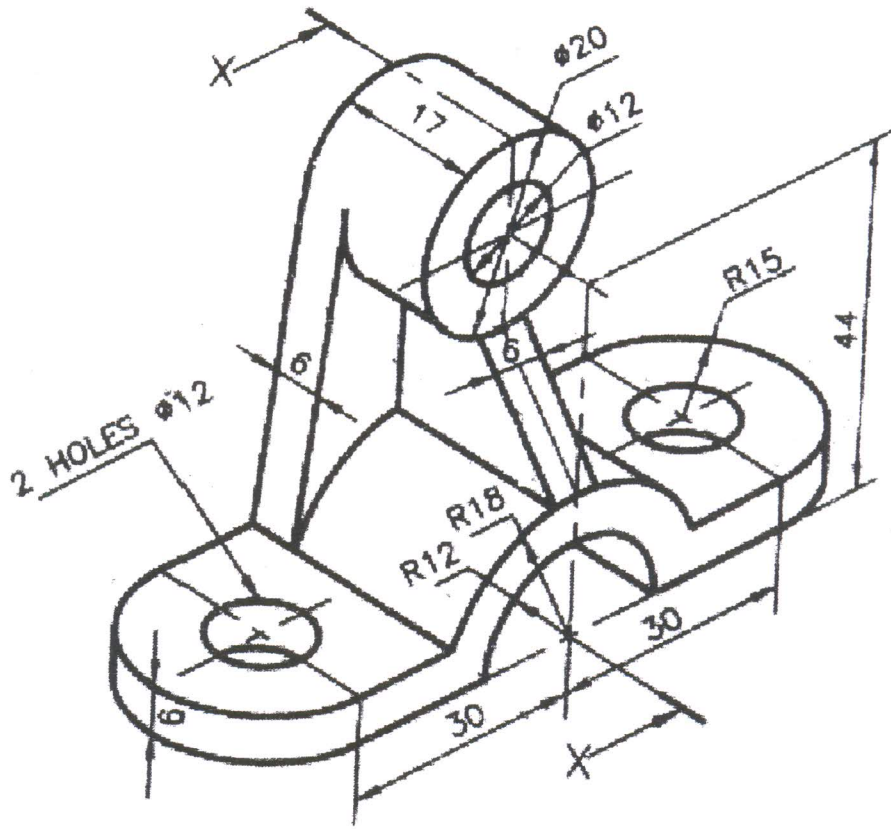
Marks 14

Question No. 02 (Fig. No. 01)



Question No. 03 (Fig. No. 02)
Page 2/3(Morning)

Question No. 04 (Fig. No. 03)



Question No. 05 (Fig. No. 04)
Page 3/3(Morning)